

### KEY FEATURES

- High power handling: 400 W<sub>AES</sub>
- Sensitivity 95 dB (1W / 1m)
- Extremely linear frequency response
- Low harmonic distortion
- Optimum winding length for increased linear excursion
- 3" copper voice coil with polyimide fiber glass former
- Large magnetic assembly to provide efficient heat dissipation
- Designed for woofer applications
- Optimized for small bass-reflex cabinets

### TECHNICAL SPECIFICATIONS

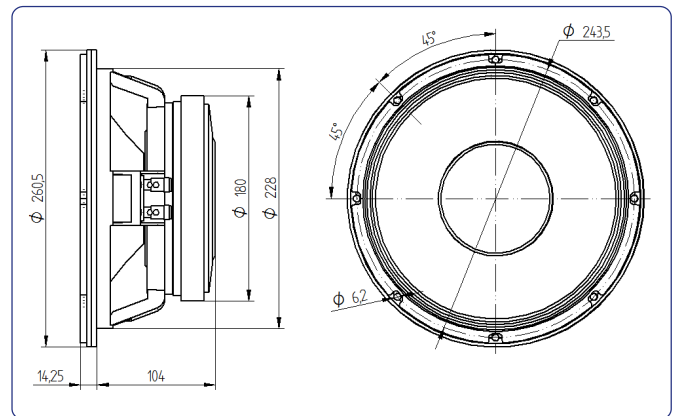
Nominal diameter	250 mm	10 in
Rated impedance		8 Ω
Minimum impedance		6,6 Ω
Power capacity*	400 W <sub>AES</sub>	
Program power		800 W
Sensitivity	95 dB	1W @ 1m @ Z <sub>N</sub>
Frequency range		45 - 4.000 Hz
Voice coil diameter	77 mm	3 in
BI factor		17 N/A
Moving mass		0,052 kg
Voice coil length		17,5 mm
Air gap height		7 mm
X <sub>damage</sub> (peak to peak)		28 mm

### THIELE-SMALL PARAMETERS\*\*

Resonant frequency, f <sub>s</sub>	45 Hz
D.C. Voice coil resistance, R <sub>e</sub>	6,2 Ω
Mechanical Quality Factor, Q <sub>ms</sub>	7,1
Electrical Quality Factor, Q <sub>es</sub>	0,32
Total Quality Factor, Q <sub>ts</sub>	0,30
Equivalent Air Volume to C <sub>ms</sub> , V <sub>as</sub>	49 l
Mechanical Compliance, C <sub>ms</sub>	241 μm / N
Mechanical Resistance, R <sub>ms</sub>	2,1 kg / s
Efficiency, η <sub>0</sub>	1,4 %
Effective Surface Area, S <sub>d</sub>	0,038 m <sup>2</sup>
Maximum Displacement, X <sub>max</sub> ***	7 mm
Displacement Volume, V <sub>d</sub>	266 cm <sup>3</sup>
Voice Coil Inductance, L <sub>e</sub> @ 1 kHz	0,6 mH



### DIMENSION DRAWINGS



### MOUNTING INFORMATION

Overall diameter	260,5 mm	10,25 in
Bolt circle diameter	243,5 mm	9,58 in
Baffle cutout diameter:		
- Front mount	228 mm	8,98 in
- Rear mount	230 mm	9,05 in
Depth	120 mm	4,72 in
Net weight	5,7 kg	12,5 lb
Shipping weight	6 kg	13,2 lb

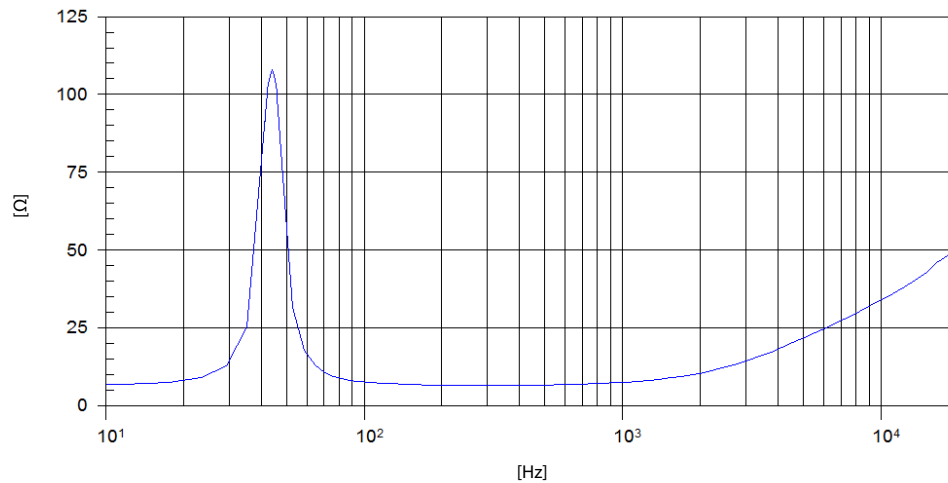
#### Notes:

\* The power capacity is determined according to AES2-1984 (r2003) standard. Program power is defined as the transducer's ability to handle normal music program material.

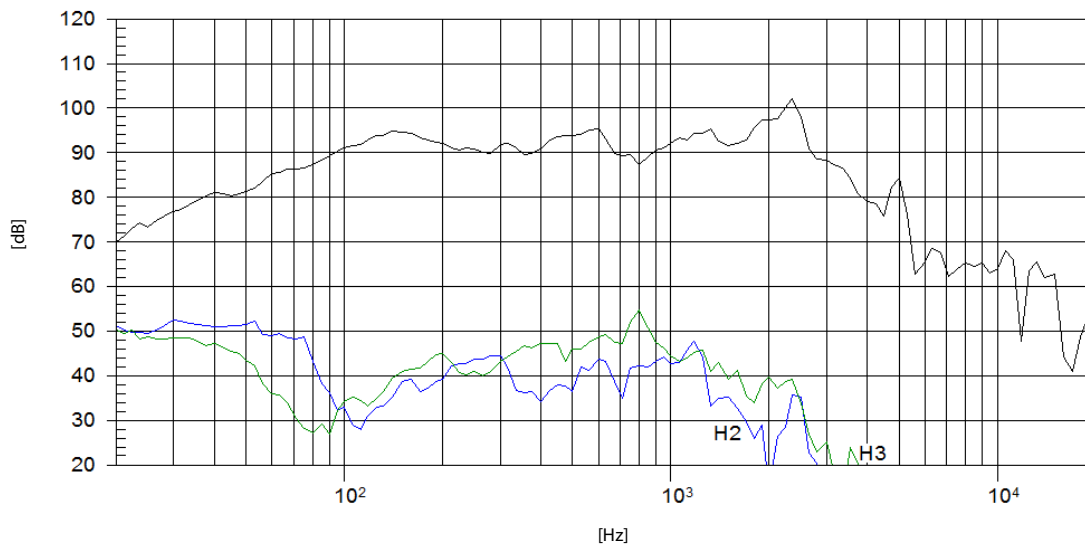
\*\* T-S parameters are measured after an exercise period using a preconditioning power test. The measurements are carried out with a velocity-current laser transducer and will reflect the long term parameters (once the loudspeaker has been working for a short period of time).

\*\*\* The X<sub>max</sub> is calculated as (L<sub>vc</sub> - H<sub>ag</sub>)/2 + (H<sub>ag</sub>/3,5), where L<sub>vc</sub> is the voice coil length and H<sub>ag</sub> is the air gap height.

### FREE AIR IMPEDANCE CURVE



### FREQUENCY RESPONSE AND DISTORTION



**Note:** On axis frequency response measured with loudspeaker standing on infinite baffle in anechoic chamber, 1W @ 1m