

KEY FEATURES

- High power handling: 800 W program power
- 3" copper wire voice coil
- High sensitivity: 97 dB (1W / 1m)
- Optimized pressed steel frame
- FEA optimized ceramic magnetic circuit
- Designed with MMSS technology for high control, linearity and low harmonic distortion
- Waterproof cone treatment on both sides of the cone
- Low harmonic distortion and linear response
- Wide range of applications of low and mid-low frequencies

TECHNICAL SPECIFICATIONS

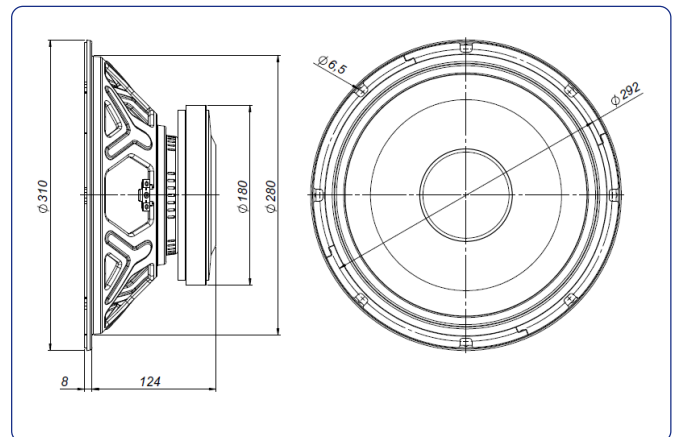
Nominal diameter	300 mm	12 in
Rated impedance		8 Ω
Minimum impedance		7 Ω
Power capacity*		400 W _{AES}
Program power		800 W
Sensitivity	97 dB	1W / 1m @ Z _N
Frequency range		45 - 4.000 Hz
Recom. enclosure vol.	30 / 100 l	1,06 / 3,53 ft ³
Voice coil diameter	77 mm	3 in
Bl factor		17,8 N/A
Moving mass		0,065 kg
Voice coil length		16 mm
Air gap height		8 mm
X _{damage} (peak to peak)		30 mm

THIELE-SMALL PARAMETERS**

Resonant frequency, f _s	44 Hz
D.C. Voice coil resistance, R _e	5,6 Ω
Mechanical Quality Factor, Q _{ms}	7,7
Electrical Quality Factor, Q _{es}	0,32
Total Quality Factor, Q _{ts}	0,31
Equivalent Air Volume to C _{ms} , V _{as}	77,9 l
Mechanical Compliance, C _{ms}	196 μm / N
Mechanical Resistance, R _{ms}	2,4 kg / s
Efficiency, η ₀	2 %
Effective Surface Area, S _d	0,053 m ²
Maximum Displacement, X _{max} ***	6,3 mm
Displacement Volume, V _d	334 cm ³
Voice Coil Inductance, L _e @ 1 kHz	1,3 mH



DIMENSION DRAWINGS



MOUNTING INFORMATION

Overall diameter	310 mm	12,20 in
Bolt circle diameter	292 mm	11,50 in
Baffle cutout diameter:		
- Front mount	280 mm	11,02 in
Depth	132 mm	5,20 in
Net weight	5,5 kg	12,12 lb
Shipping weight	6 kg	13,23 lb

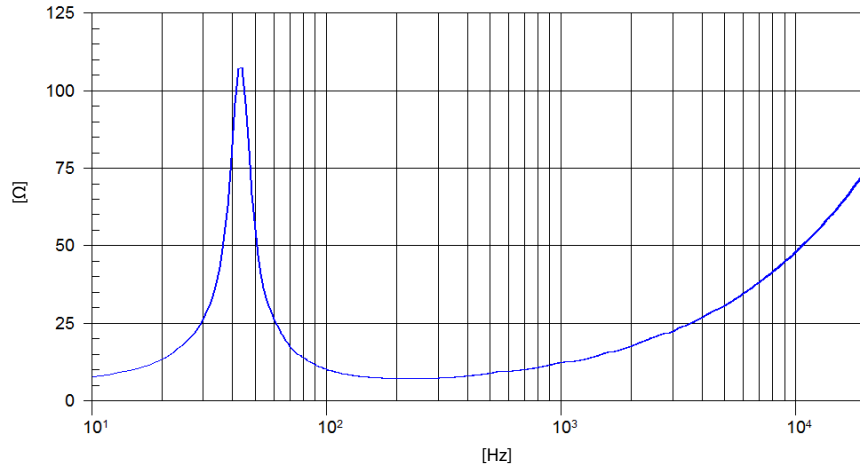
Notes:

* The power capacity is determined according to AES2-1984 (r2003) standard. Program power is defined as the transducer's ability to handle normal music program material.

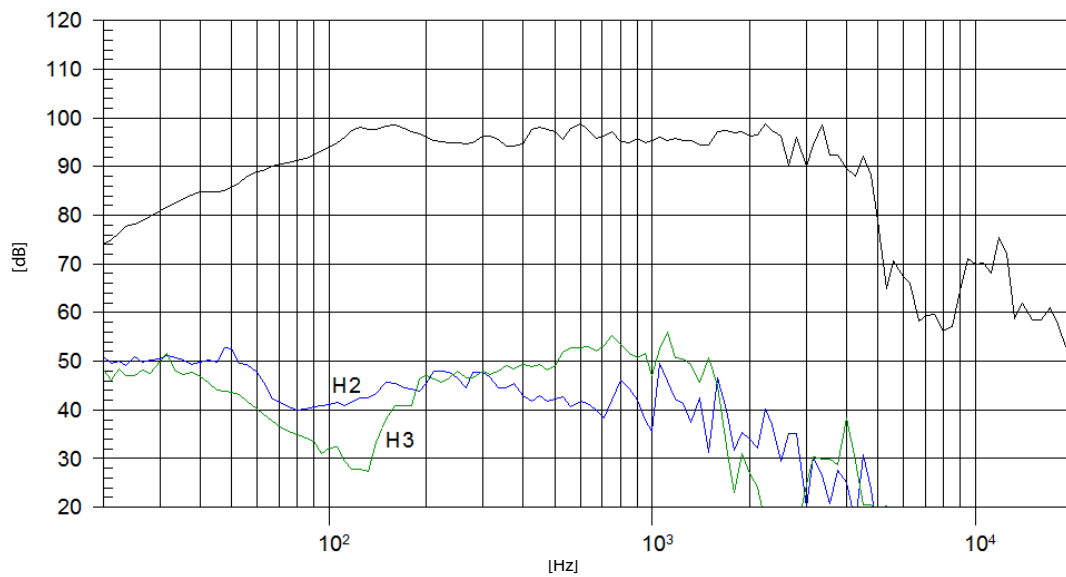
** T-S parameters are measured after an exercise period using a preconditioning power test. The measurements are carried out with a velocity-current laser transducer and will reflect the long term parameters (once the loudspeaker has been working for a short period of time).

*** The X_{max} is calculated as (L_{vc} - H_{ag})/2 + (H_{ag}/3,5), where L_{vc} is the voice coil length and H_{ag} is the air gap height.

FREE AIR IMPEDANCE CURVE



FREQUENCY RESPONSE AND DISTORTION



Note: On axis frequency response measured with loudspeaker standing on infinite baffle in anechoic chamber, 1W @ 1m