

KEY FEATURES

- High power handling: 2.000 W program power
- 4" copper voice coil
- High sensitivity: 98 dB
- FEA optimized magnetic circuit
- Designed with MMSS technology for high control, linearity and low harmonic distortion
- Low power compression losses
- Waterproof cone with treatment for both sides of the cone
- Extended mechanical displacement capability: $X_{dam} \pm 52$ mm
- CONEX spider
- High excursion capabilities: $X_{max} \pm 8$ mm
- Low frequency extension and high control

TECHNICAL SPECIFICATIONS

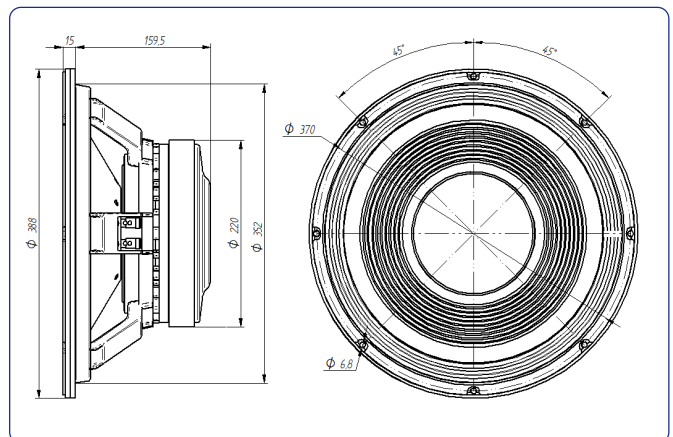
Nominal diameter	380 mm	15 in
Rated impedance		8 Ω
Minimum impedance		6,8 Ω
Power capacity*		1.000 W _{AES}
Program power		2.000 W
Sensitivity	98 dB	1W / 1m @ Z _N
Frequency range		45 - 2.000 Hz
Recom. enclosure vol.	30 / 120 l	1,06 / 4,24 ft ³
Voice coil diameter	101,6 mm	4 in
Bl factor		27,4 N/A
Moving mass		0,157 kg
Voice coil length		20 mm
Air gap height		12 mm
X _{damage} (peak to peak)		52 mm

THIELE-SMALL PARAMETERS**

Resonant frequency, f_s	45 Hz
D.C. Voice coil resistance, R_e	5,2 Ω
Mechanical Quality Factor, Q_{ms}	5,86
Electrical Quality Factor, Q_{es}	0,31
Total Quality Factor, Q_{ts}	0,30
Equivalent Air Volume to C_{ms} , V_{as}	80,7 l
Mechanical Compliance, C_{ms}	78 μ m / N
Mechanical Resistance, R_{ms}	7,6 kg / s
Efficiency, η_0	2,4 %
Effective Surface Area, S_d	0,0855 m ²
Maximum Displacement, X_{max} ***	8 mm
Displacement Volume, V_d	684 cm ³
Voice Coil Inductance, L_e @ 1 kHz	1,5 mH



DIMENSION DRAWINGS



MOUNTING INFORMATION

Overall diameter	388 mm	15,28 in
Bolt circle diameter	370 mm	14,57 in
Baffle cutout diameter:		
- Front mount	352 mm	13,86 in
Depth	170 mm	6,70 in
Net weight	13,1 kg	28,9 lb
Shipping weight	14,1 kg	31,1 lb

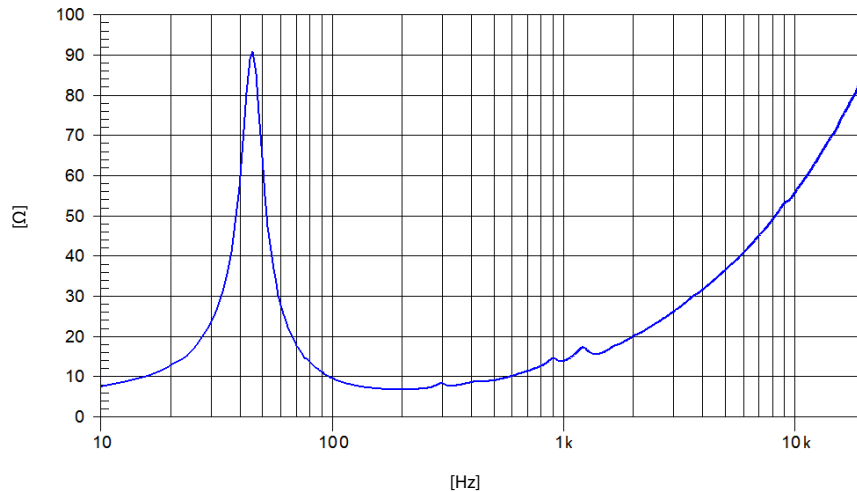
Notes:

* The power capacity is determined according to AES2-1984 (r2003) standard. Program power is defined as the transducer's ability to handle normal music program material.

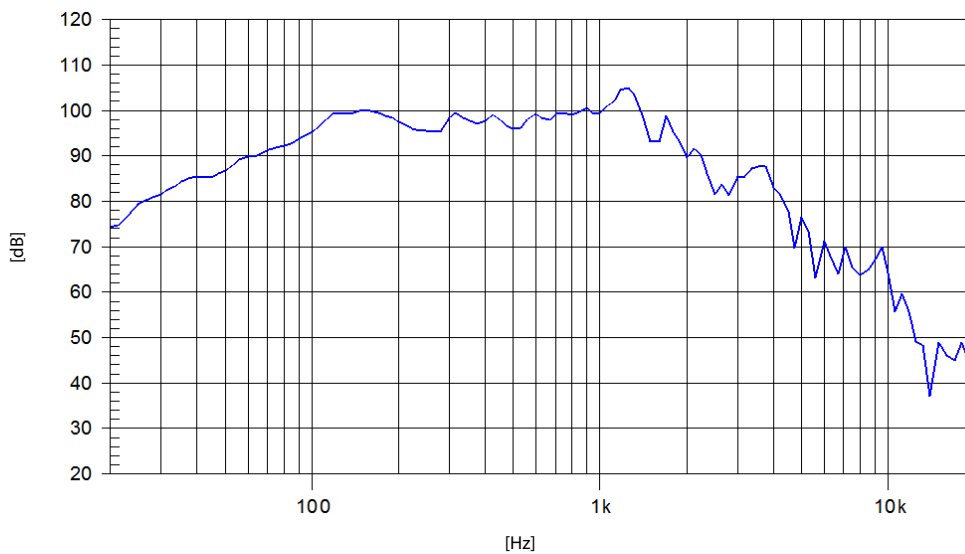
** T-S parameters are measured after an exercise period using a preconditioning power test. The measurements are carried out with a velocity-current laser transducer and will reflect the long term parameters (once the loudspeaker has been working for a short period of time).

*** The X_{max} is calculated as $(L_{vc} - H_{ag})/2 + (H_{ag}/3,5)$, where L_{vc} is the voice coil length and H_{ag} is the air gap height.

FREE AIR IMPEDANCE CURVE



FREQUENCY RESPONSE AND DISTORTION



Note: On axis frequency response measured with loudspeaker standing on infinite baffle in anechoic chamber, 1W @ 1m