

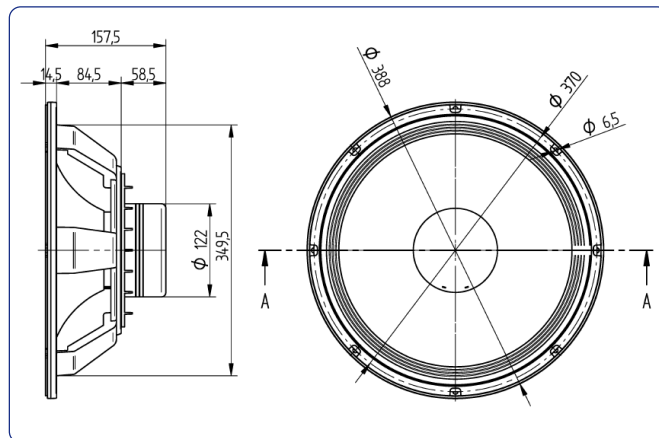
KEY FEATURES

- 1.600 W program power
- High sensitivity: 100 dB (1W / 1m)
- FEA optimized magnetic circuit.
- Forced air convection circuit for low power compression.
- CONEX spider for higher resistance and consistency.
- Waterproof treatment for both sides of the cone.
- 4" duo technology voice coil.
- Extended controlled displacement: $X_{\max} \pm 7,5$ mm
- Massive mechanical displacement capability:
 $X_{\text{damage}} \pm 52$ mm

TECHNICAL SPECIFICATIONS

| | | |
|------------------------------------|----------------------|----------------------------|
| Nominal diameter | 380 mm | 15 in |
| Rated impedance | 8 Ω | |
| Minimum impedance | 5,5 Ω | |
| Power capacity* | 800 W _{AES} | |
| Program power | 1600 W | |
| Sensitivity | 100 dB | 1W @ 1m @ Z _N |
| Frequency range | 30 - 4.000 Hz | |
| Recom. enclosure vol. | 40 / 150 l | 1,41 / 5,3 ft ³ |
| Voice coil diameter | 100 mm | 4 in |
| Magnetic assembly weight | 4,6 kg | 10,15 lb |
| BI factor | 24,3 N/A | |
| Moving mass | 0,101 kg | |
| Voice coil length | 20 mm | |
| Air gap height | 12 mm | |
| X _{damage} (peak to peak) | 52 mm | |

DIMENSION DRAWINGS



THIELE-SMALL PARAMETERS**

| | |
|--|------------------------------|
| Resonant frequency, f_s | 33 Hz |
| D.C. Voice coil resistance, R_e | 5,1 Ω |
| Mechanical Quality Factor, Q_{ms} | 7,7 |
| Electrical Quality Factor, Q_{es} | 0,182 |
| Total Quality Factor, Q_{ts} | 0,178 |
| Equivalent Air Volume to C_{ms} , V_{as} | 250 l |
| Mechanical Compliance, C_{ms} | 229 $\mu\text{m} / \text{N}$ |
| Mechanical Resistance, R_{ms} | 2,73 kg / s |
| Efficiency, η_0 | 4,77 % |
| Effective Surface Area, S_d | 0,088 m ² |
| Maximum Displacement, X_{\max} *** | 7,5 mm |
| Displacement Volume, V_d | 660 cm ³ |
| Voice Coil Inductance, L_e @ 1 kHz | 0,8 mH |

MOUNTING INFORMATION

| | | |
|----------------------------|----------|----------------------|
| Overall diameter | 388 mm | 15,28 in |
| Bolt circle diameter | 370 mm | 14,57 in |
| Baffle cutout diameter: | | |
| - Front mount | 349,5 mm | 13,76 in |
| - Rear mount | 355 mm | 13,98 in |
| Depth | 157,5 mm | 6,2 in |
| Volume displaced by driver | 5,5 l | 0,19 ft ³ |
| Net weight | 6 kg | 13,3 lb |
| Shipping weight | 6,5 kg | 14,3 lb |

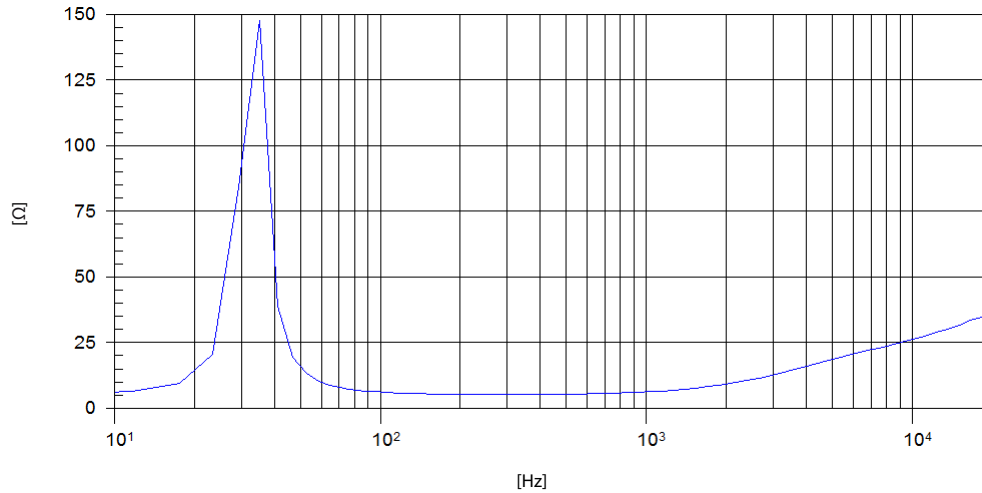
Notes:

* The power capacity is determined according to AES2-1984 (r2003) standard. Program power is defined as the transducer's ability to handle normal music program material.

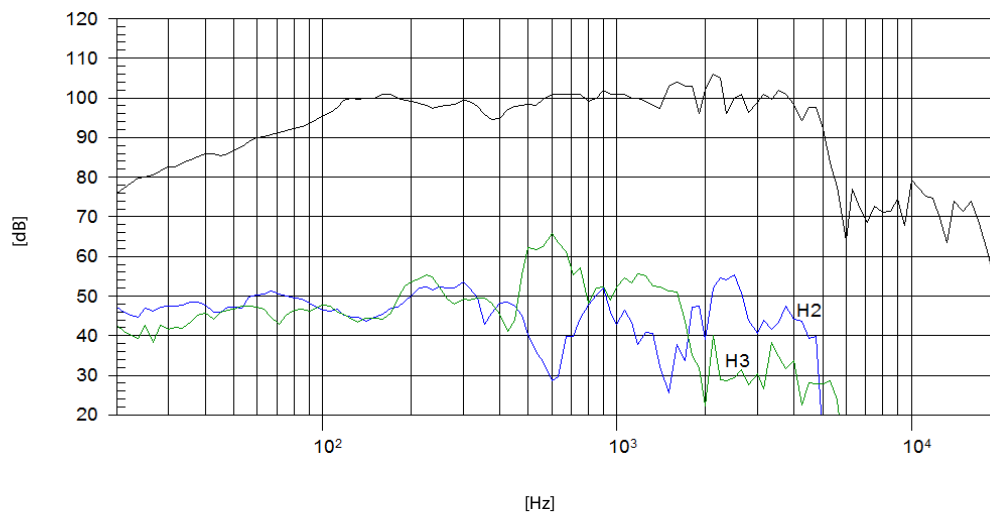
** T-S parameters are measured after an exercise period using a preconditioning power test. The measurements are carried out with a velocity-current laser transducer and will reflect the long term parameters (once the loudspeaker has been working for a short period of time).

*** The X_{\max} is calculated as $(L_{vc} - H_{ag})/2 + (H_{ag}/3,5)$, where L_{vc} is the voice coil length and H_{ag} is the air gap height.

FREE AIR IMPEDANCE CURVE



FREQUENCY RESPONSE AND DISTORTION



Note: On axis frequency response measured with loudspeaker standing on infinite baffle in anechoic chamber, 1W @ 1m