

### KEY FEATURES

- Good power handling: 170 W<sub>AES</sub>
- High sensitivity: 94,3 dB
- FEA optimized magnetic circuit
- Designed with MMSS technology for high control, linearity and low harmonic distortion
- Waterproof treatment for both sides of the cone
- 2" aluminium voice coil
- Demodulating ring for low harmonic distortion
- Excellent for line array applications (weight 3 kg)

### TECHNICAL SPECIFICATIONS

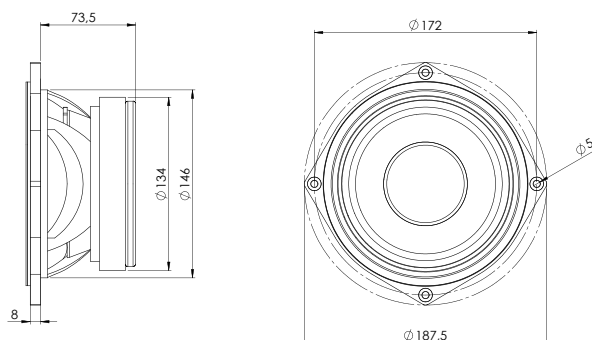
Nominal diameter	165 mm	6,5 in
Rated impedance		8 Ω
Minimum impedance		7,9 Ω
Power capacity*		170 W <sub>AES</sub>
Program power		340 W
Sensitivity	94,3 dB	2,83V @ 1m
Frequency range		70 - 9.000 Hz
Recom. enclosure vol.	10 / 30 l	0,35 / 1,06 ft <sup>3</sup>
Voice coil diameter	51,7 mm	2 in
Magnetic assembly weight	2,83 kg	6,24 lb
BI factor		11 N/A
Moving mass		0,013 kg
Voice coil length		9,2 mm
Air gap height		7 mm
X <sub>damage</sub> (peak to peak)		37,8 mm

### THIELE-SMALL PARAMETERS\*\*

Resonant frequency, f <sub>s</sub>	102 Hz
D.C. Voice coil resistance, R <sub>e</sub>	6,0 Ω
Mechanical Quality Factor, Q <sub>ms</sub>	9,25
Electrical Quality Factor, Q <sub>es</sub>	0,42
Total Quality Factor, Q <sub>ts</sub>	0,40
Equivalent Air Volume to C <sub>ms</sub> , V <sub>as</sub>	5,04 l
Mechanical Compliance, C <sub>ms</sub>	184 μm / N
Mechanical Resistance, R <sub>ms</sub>	0,91 kg / s
Efficiency, η <sub>0</sub>	1,24 %
Effective Surface Area, S <sub>d</sub>	0,014 m <sup>2</sup>
Maximum Displacement, X <sub>max</sub> ***	3,1 mm
Displacement Volume, V <sub>d</sub>	14 cm <sup>3</sup>
Voice Coil Inductance, L <sub>e</sub> @ f <sub>min</sub>	0,5 mH



### DIMENSION DRAWINGS



### MOUNTING INFORMATION

Overall diameter	187,5 mm	7,38 in
Bolt circle diameter	172 mm	6,77 in
Baffle cutout diameter:		
- Front mount	146 mm	5,75 in
- Rear mount	146 mm	5,75 in
Depth	81,5 mm	3,21 in
Volume displaced by driver	0,5 l	0,02 ft <sup>3</sup>
Net weight	3,02 kg	6,66 lb
Shipping weight	3,12 kg	6,88 lb

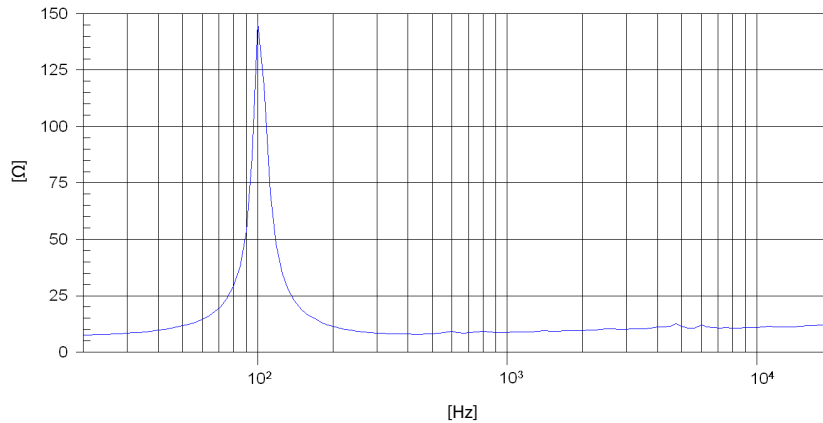
#### Notes:

\* The power capacity is determined according to AES2-1984 (r2003) standard. Program power is defined as the transducer's ability to handle normal music program material.

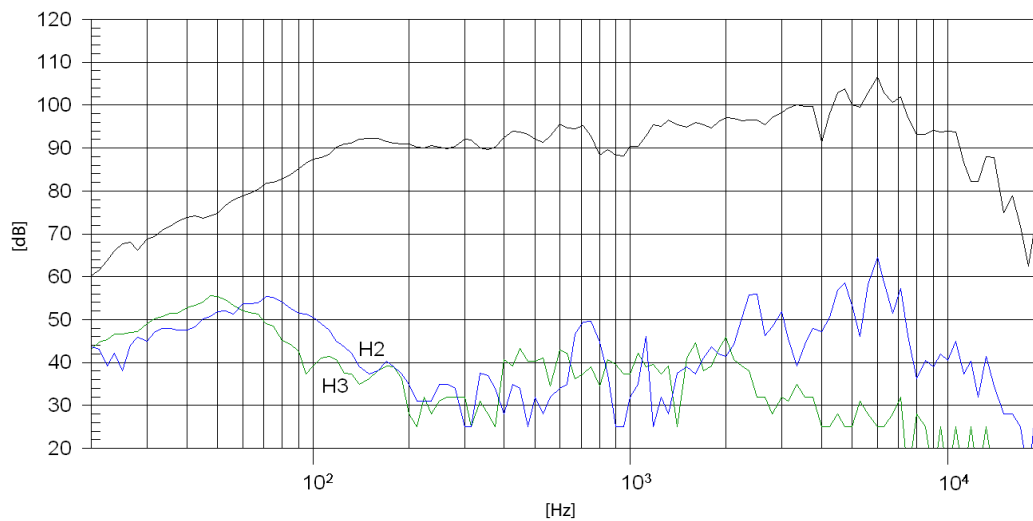
\*\* T-S parameters are measured after an exercise period using a preconditioning power test. The measurements are carried out with a velocity-current laser transducer and will reflect the long term parameters (once the loudspeaker has been working for a short period of time).

\*\*\* The X<sub>max</sub> is calculated as (L<sub>vc</sub> - H<sub>ag</sub>)/2 + (H<sub>ag</sub>/3,5), where L<sub>vc</sub> is the voice coil length and H<sub>ag</sub> is the air gap height.

### FREE AIR IMPEDANCE CURVE



### FREQUENCY RESPONSE AND DISTORTION



**Note:** On axis frequency response measured with loudspeaker standing on infinite baffle in anechoic chamber, 1W @ 1m