

KEY FEATURES

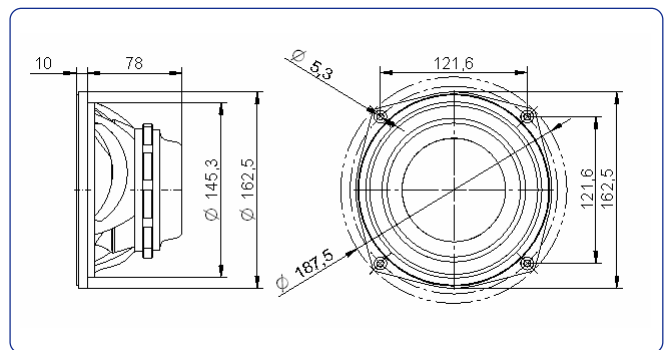
- Real 200 w AES power handling
- Sensitivity: 92dB @ 2.83v
- 2 in Aluminium voice coil.
- Water proof materials
- Forced air convection circuit for low power compression.
- Extended controlled displacement: $X_{max} \pm 5.5$ mm
- Real low frequency driver
- Optimal for small/compact designs

TECHNICAL SPECIFICATIONS

Nominal diameter	165 mm. 6.5 in.
Rated impedance	8 ohms
Minimum impedance	5.8 ohms
Power capacity*	200 w AES
Program power	400 w
Sensitivity	92 dB 2.83v @ 1m @ 2 π
Frequency range	60 - 9000 Hz
Recom. enclosure vol.	10 / 40 l 0.35 / 1.4 ft. ³
Voice coil diameter	51.7 mm. 2 in.
Magnetic assembly weight	1.6 kg. 3.52 lb.
BL factor	10.5 N / A
Moving mass	0.017 kg.
Voice coil length	14 mm
Air gap height	7 mm
X damage (peak to peak)	20 mm



DIMENSION DRAWINGS



THIELE-SMALL PARAMETERS**

Resonant frequency, fs	56 Hz
D.C. Voice coil resistance, Re	5.3 ohms
Mechanical Quality Factor, Qms	3.69
Electrical Quality Factor, Qes	0.32
Total Quality Factor, Qts	0.29
Equivalent Air Volume to Cms, Vas	11.9 l
Mechanical Compliance, Cms	468 μ m / N
Mechanical Resistance, Rms	1.6 kg / s
Efficiency, η (%)	0.65
Effective Surface Area, Sd (m ²)	0.0135 m ²
Maximum Displacement, Xmax***	5.5 mm
Displacement Volume, Vd	74.25 cm ³
Voice Coil Inductance, Le @ 1 kHz	0.6 mH

MOUNTING INFORMATION

Overall diameter	162.5 mm. 6.40 in.
Bolt circle diameter	172 mm. 6.77 in.
Baffle cutout diameter:	
- Front mount	145.3 mm. 5.72 in.
- Rear mount	145.3 mm. 5.72 in.
Depth	78 mm. 3.0 in.
Volume displaced by driver	0.55 l 0.02 ft. ³
Net weight	1.9 kg. 4.18 lb.
Shipping weight	2.4 kg. 5.29 lb.

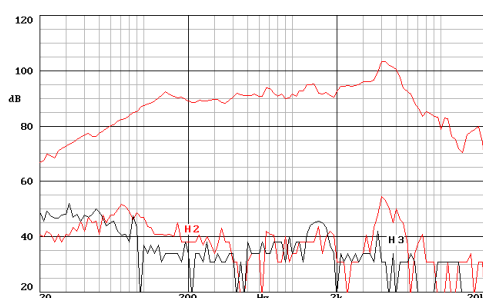
Notes:

*The power capacity is determined according to AES2-1984 (r2003) standard. Program power is defined as the transducer's ability to handle normal music program material.

**T-S parameters are measured after an exercise period using a preconditioning power test.

***The Xmax is calculated as (Lvc - Hag)/2 + Hag/3.5, where Lvc is the voice coil length and Hag is the air gap height.

FREQUENCY RESPONSE AND DISTORTION



Note: on axis frequency response measured with loudspeaker standing on infinite baffle in anechoic chamber, 1w @ 1m.

FREE AIR IMPEDANCE CURVE

