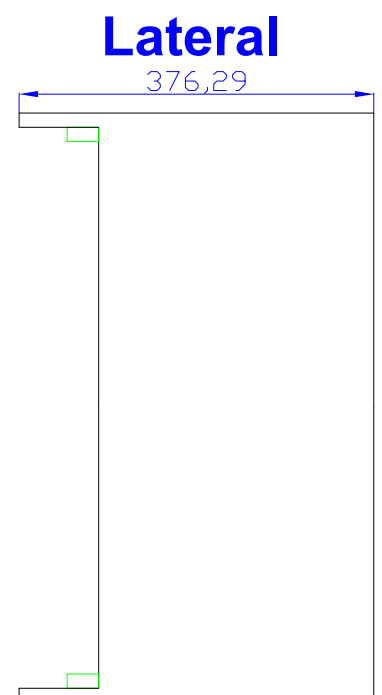
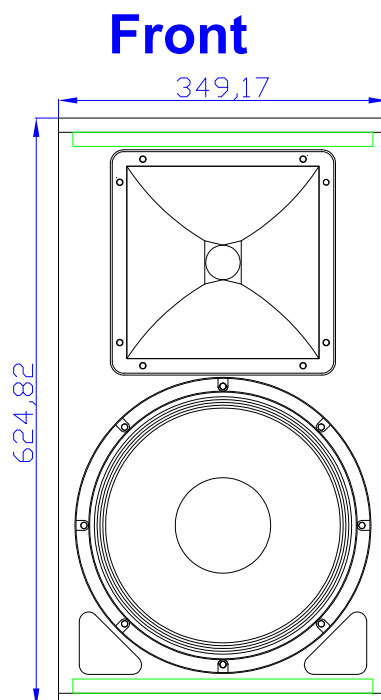
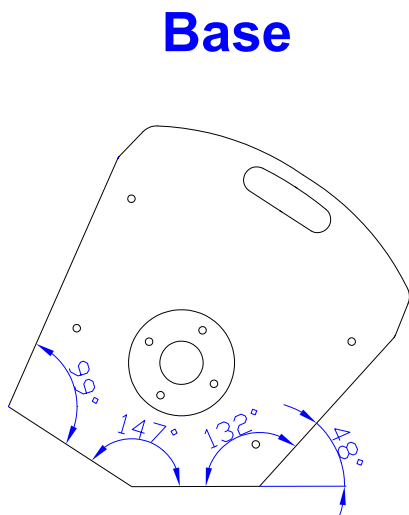
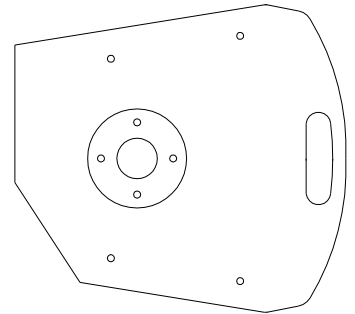
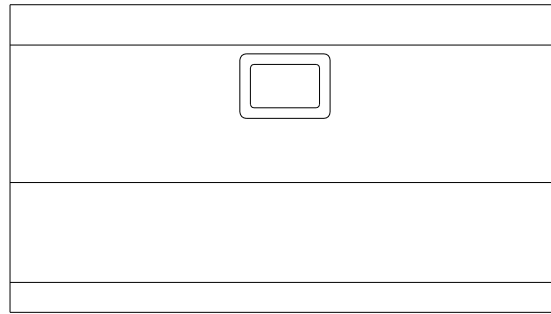
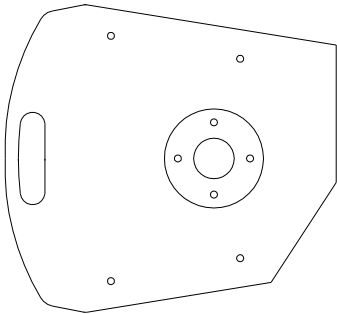


**Technical Specifications**

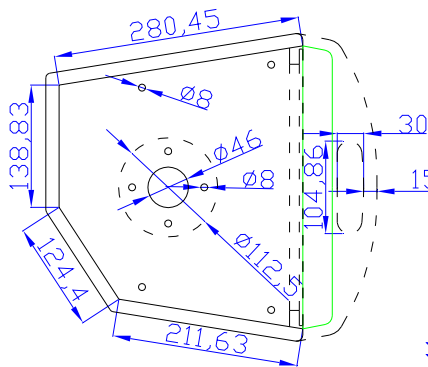
Acoustic cabinet:	FR12B
Description:	2 Way System. 12" and High Frequency unit
Power AES:	400 W.
Power Program:	800 W.
Sensitivity 2,83v @ 1m:	97 dB.
Max. SPL continuous:	123 dB.
Max. SPL peak:	129 dB.
Frequency response:	45 - 20.000Hz.
Coverage (H x V):	80° x 50°
Bass Loudspeakers:	12G40
Compression Driver:	CP755/ND
Constant Directivity Horn:	TD-385
Crossover:	FP-12B/2
Hardware:	External



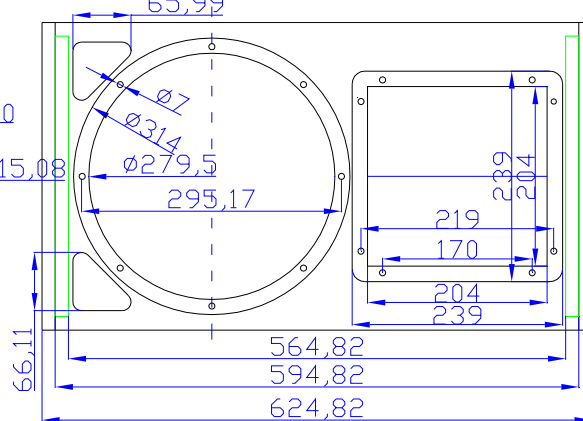
**Rear**



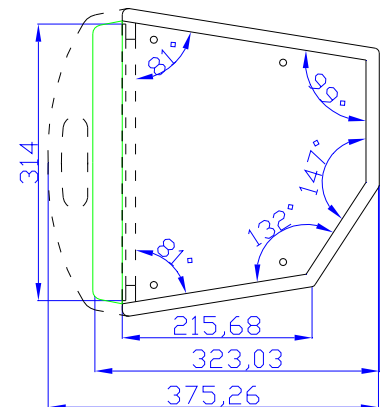
**Base**



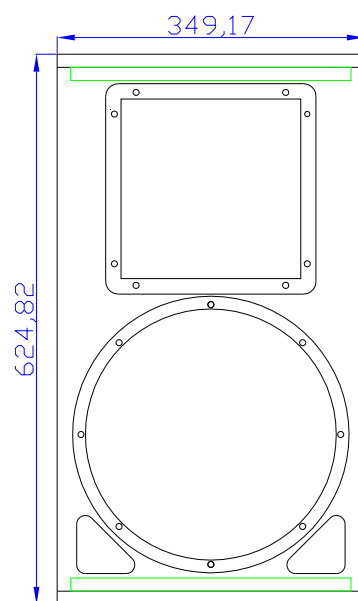
**Front**



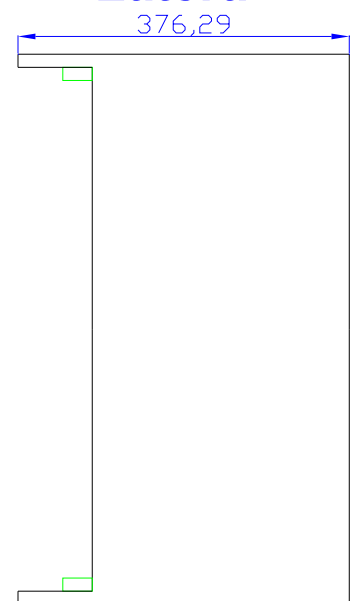
**Central**



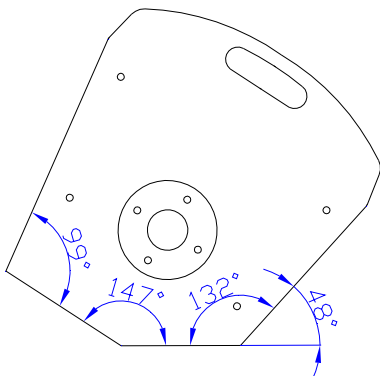
**Front**



**Lateral**



**Base**



### 12G40

#### KEY FEATURES

- High power handling (500 W AES )
- 3" edgewound copper voice-coil with polyimide fiber glass former
- Optimum winding length for increased linear excursion
- Designed for woofer applications

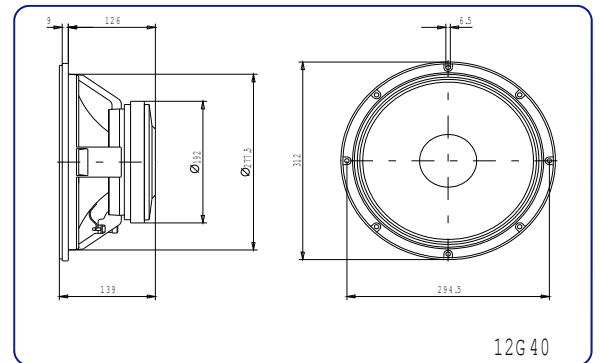


#### TECHNICAL SPECIFICATIONS

- Nominal diameter 300 mm. 12 in.
- Rated impedance 8 ohms
- Minimum impedance 6.7 ohms
- Power capacity\* 500 w AES
- Program power 1000 w
- Sensitivity 97 dB 2.83v @ 1m @ 2π
- Frequency range 35 - 4000 Hz
- Voice coil diameter 77 mm. 3 in.
- Magnetic assembly weight 6.3 kg. 13.9 lb.
- BL factor 18.4 N / A
- Voice coil length 20 mm
- Air gap height 8 mm
- X damage (peak to peak) 28 mm

**Notes:**  
 \*The power capacity is determined according to AES2-1984 (r2003) standard.  
 Program power is defined as the transducer's ability to handle normal music program material.

#### DIMENSION DRAWINGS



### CP-755Nd

#### KEY FEATURES

- Composite structure diaphragm (Titanium dome & Mylar surround)
- Light neodymium magnet
- Optimized titanium phasing plug
- Superior high frequencies sound reproduction quality
- Extended frequency response (0.6 - 20 kHz )
- High sensitivity (112 dB)

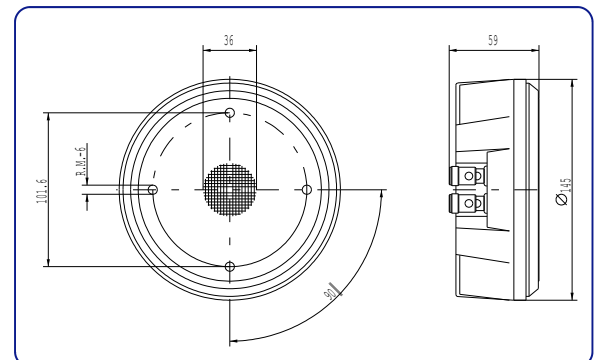


#### TECHNICAL SPECIFICATIONS

- Throat diameter 36 mm. 1.4"
- Rated impedance 8 ohms
- D.C. Resistance 5.5 ohms
- Power capacity\* 70 w AES above 1 kHz
- Program power 140 w above 1 kHz
- Sensitivity\*\* 112 dB 1w @ 1m
- Frequency range 600- 20000 Hz
- Voice coil diameter 72.2 mm. 2.87 in.
- Recommended Crossover 800 Hz or higher (12 dB/oct. min.)
- Net weight 2.96 kg. 6.51 lb.

**Notes:**  
 \*The power capacity is determined according to AES2-1984 (r2003) standard.  
 Program power is defined as the transducer's ability to handle normal music program material.  
 \*\*Sensitivity was measured at 1 m distance, on axis, with 1 w input, averaged in the range 1 - 7 kHz and coupled to a TD565 horn.

#### DIMENSION DRAWINGS



## TD-385

### KEY FEATURES

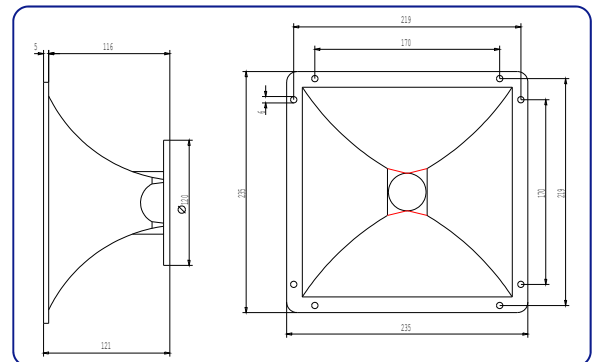
- Designed for compression drivers with 1.4" throat diameter
- It provides uniform response, on and off-axis with a neutral and natural frequency reproduction
- Coverage angles of 80° in the horizontal plane and 50° in the vertical plane
- Precise directivity control in the pass band
- Its square form provides more versatility when mounting in the enclosure

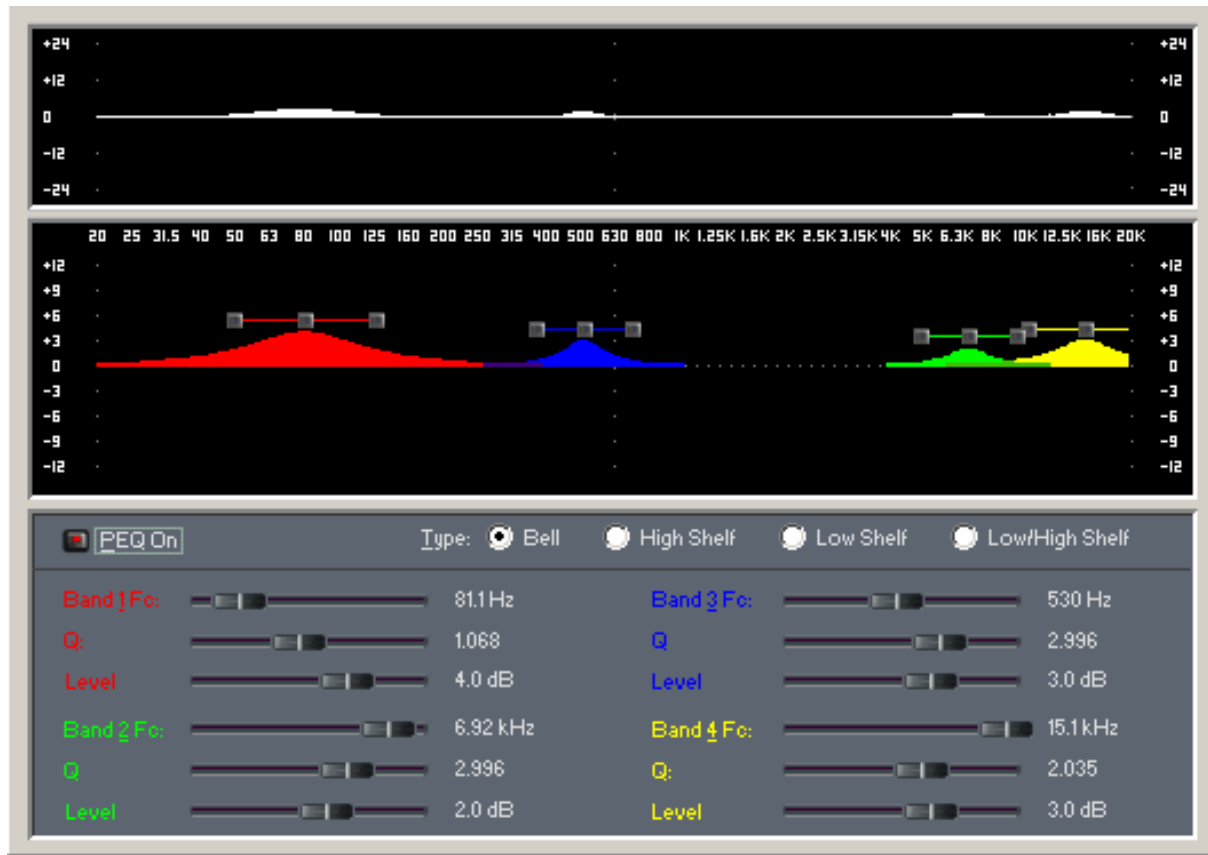
### TECHNICAL SPECIFICATIONS

- Throat diameter 36 mm. 1.4 in.
- Horizontal beamwidth 80° (+16°, -32°)  
(-6 dB, 1 - 20 kHz)
- Vertical beamwidth 50° (+29°, -14°)  
(-6 dB, 1.6 - 20 kHz)
- Directivity factor (Q) 12.4 (average 0.63 - 16 kHz)
- Directivity index (DI) 10.5 dB (+3.5 dB, -3.2 dB)
- Cutoff frequency 800 Hz
- Dimensions (WxHxD) 235x235x120 mm.  
9.25x9.25x4.72 in.
- Cutout dimensions (WxH) 204x202 mm.  
8.03x7.95 in.
- Net weight 1.2 kg. 2.64 lb.
- Shipping weight 1.53 kg. 3.37 lb.
- Construction Cast aluminium.  
Connection of driver by four screws on a 101.6 mm. diameter bolt circle.



### DIMENSION DRAWINGS





**FR12B/2 Crossover**

