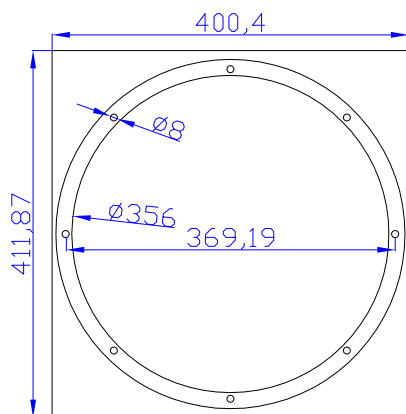
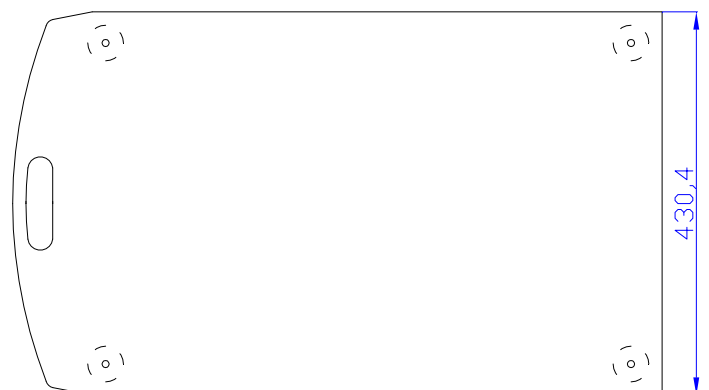


Technical Specifications

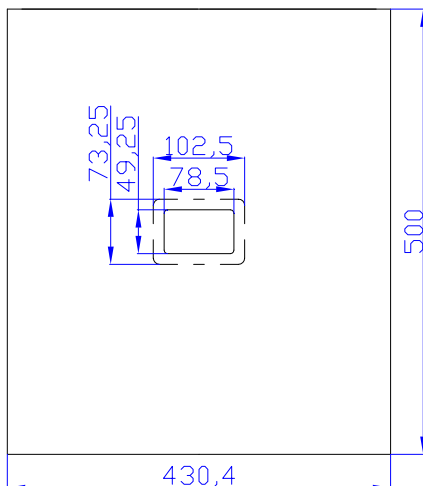
Acoustic cabinet:	SB15
Description:	Bass reinforcement. 15" Subwoofer
Power AES:	800 W.
Power Program:	1.600 W.
Sensitivity 2,83v @ 1m:	103 dB.
Max. SPL continuous:	132 dB.
Max. SPL peak:	138 dB.
Frequency response:	40 - 200 Hz.
Bass Loudspeakers:	15P80ND



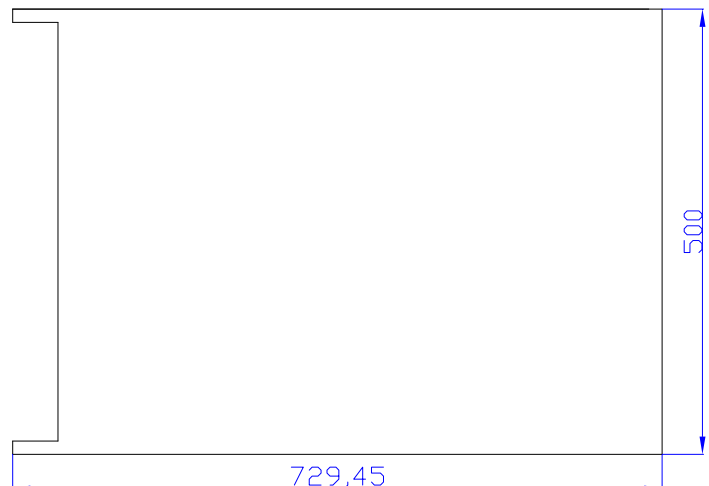
Base



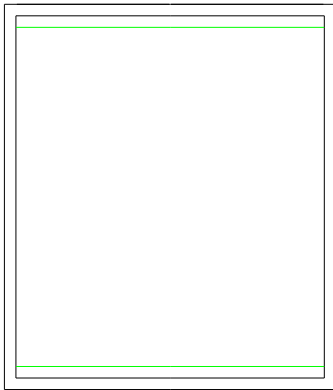
Rear



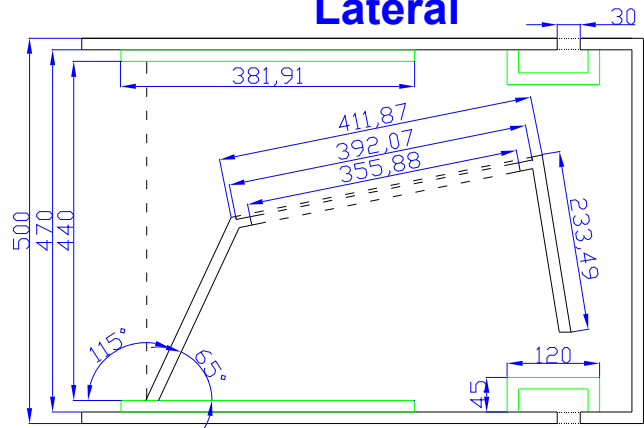
Lateral



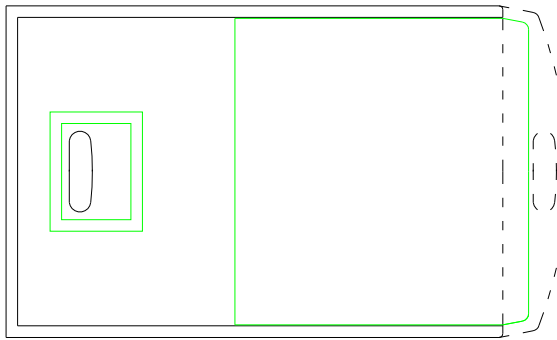
Front



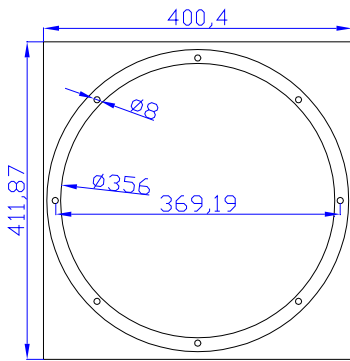
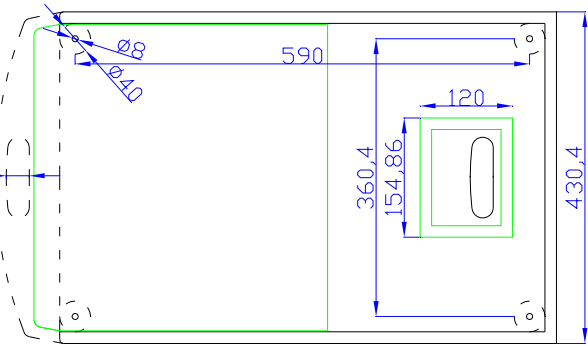
Lateral



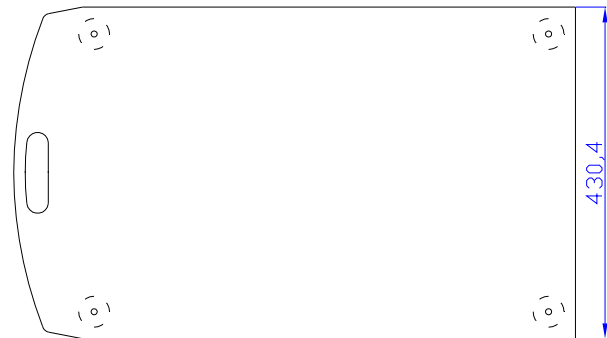
Central



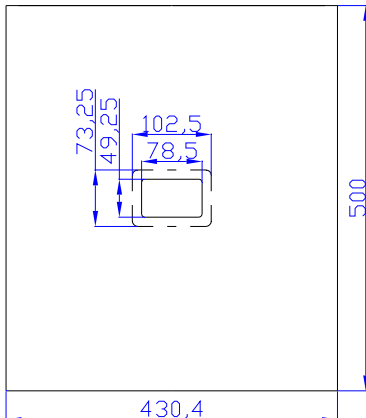
Base



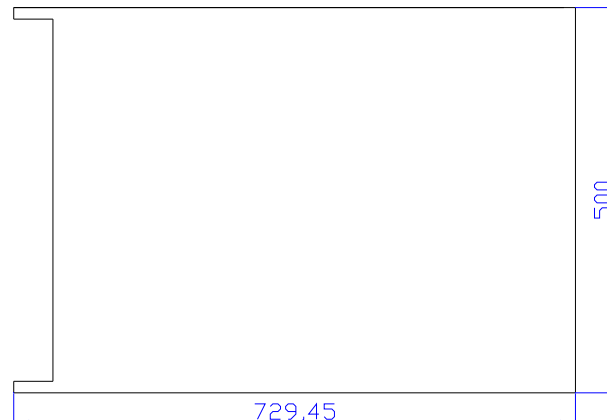
Base



Rear



Lateral



15P80Nd

KEY FEATURES

- Real 800 W AES power handling
- Sensitivity: 100 dB @ 2.83V
- 4" Duo Technology voice coil
- Forced air convection circuit for low power compression
- Extended controlled displacement: $X_{max} \pm 7.5$ mm.
- Massive mechanical displacement capability: 52 mm p-p



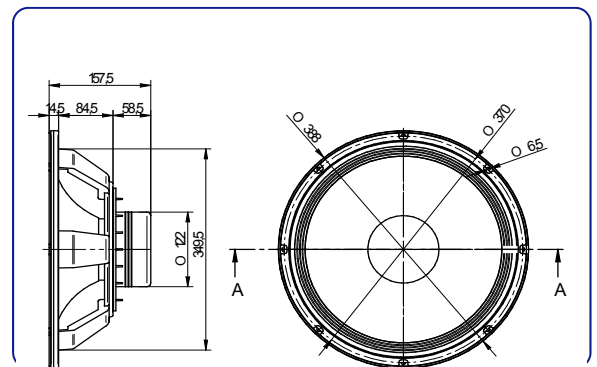
TECHNICAL SPECIFICATIONS

- | | |
|----------------------------|------------------------|
| • Nominal diameter | 380 mm. 15 in. |
| • Rated impedance | 8 ohms |
| • Minimum impedance | 6.6 ohms |
| • Power capacity* | 800 w AES |
| • Program power | 1600 w |
| • Sensitivity | 100 dB 2.83v @ 1m @ 2π |
| • Frequency range | 30 - 5000 Hz |
| • Voice coil diameter | 100 mm. 4 in. |
| • Magnetic assembly weight | 4.62 kg. 10.16 lb. |
| • BL factor | 23.6 N / A |
| • Voice coil length | 20 mm |
| • Air gap height | 12 mm |
| • X damage (peak to peak) | 52 mm |

Notes:

*The power capacity is determined according to AES2-1984 (r2003) standard.
Program power is defined as the transducer's ability to handle normal music program material.

DIMENSION DRAWINGS



SB15/2 Presets

