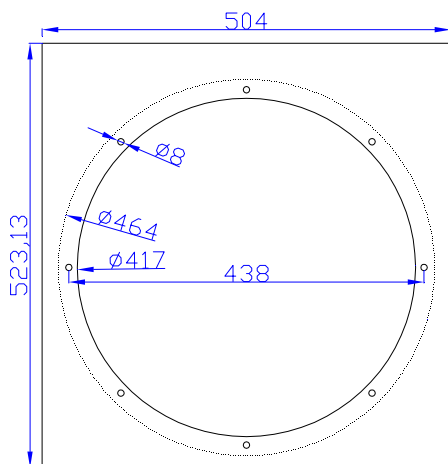
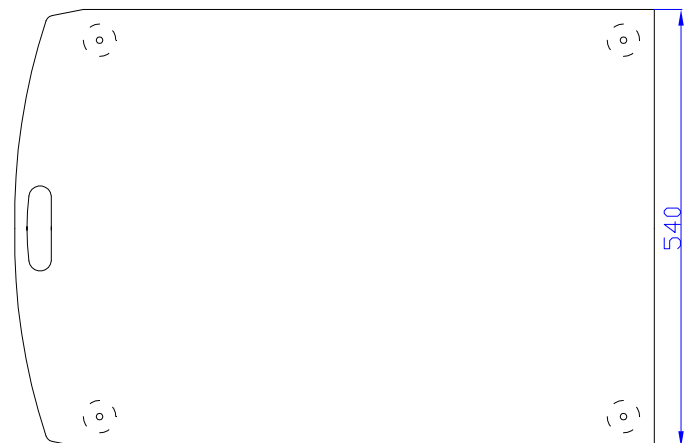


**Technical Specifications**

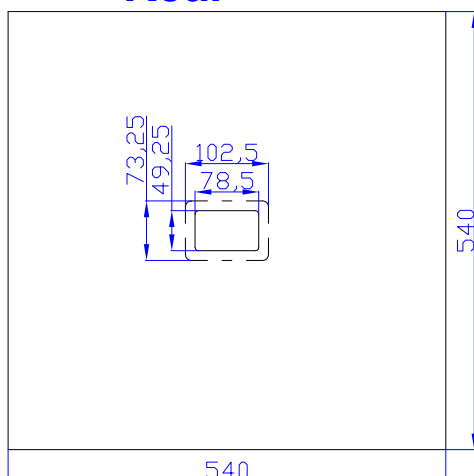
Acoustic cabinet:	SB18
Description:	Bass reinforcement. 18" subwoofer.
Power AES:	1.000 W.
Power Program:	2.000 W.
Sensitivity 2,83v @ 1m:	101 dB.
Max. SPL continuous:	131 dB.
Max. SPL peak:	137 dB.
Frequency response:	33 - 200 Hz.
Bass Loudspeakers:	18P1000ND



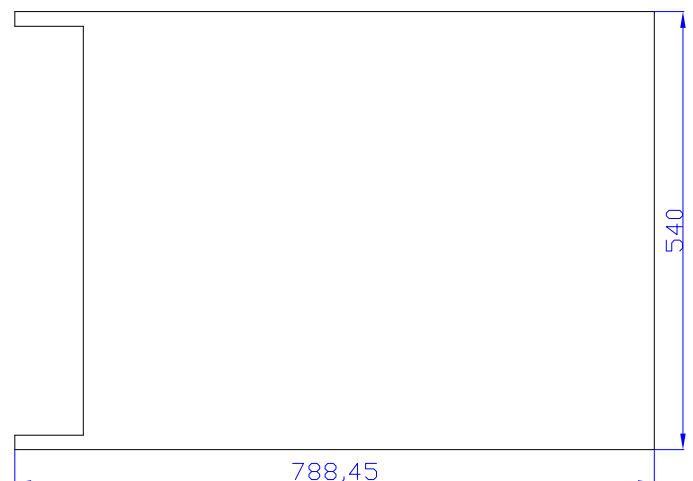
**Base**



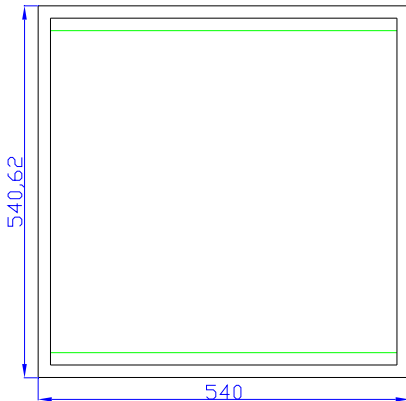
**Rear**



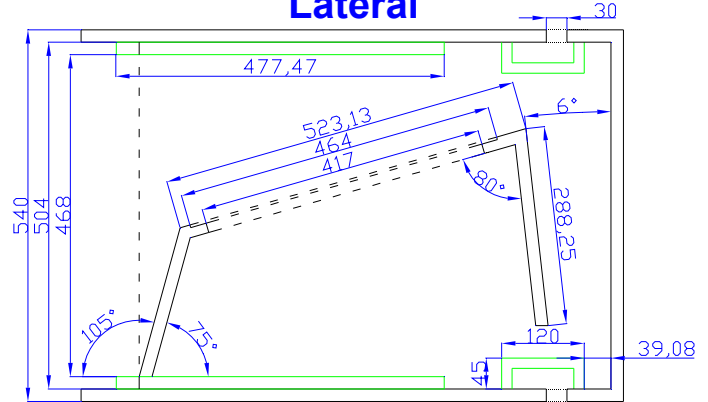
**Lateral**



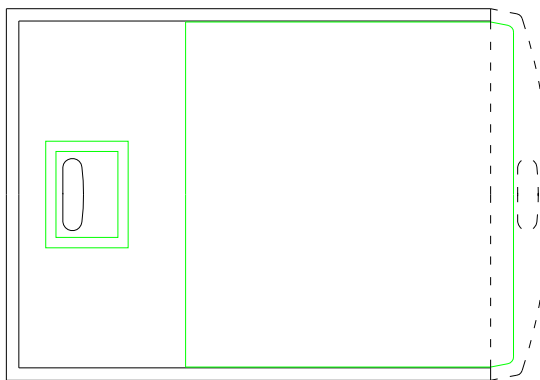
**Front**



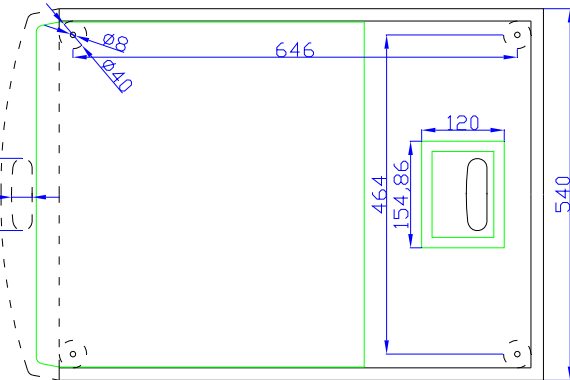
**Lateral**



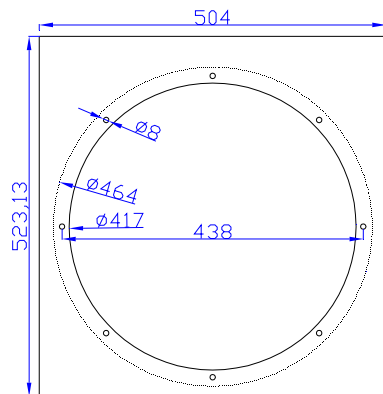
**Central**



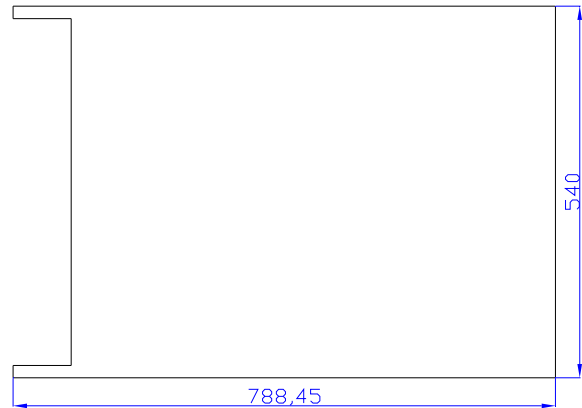
**Base**



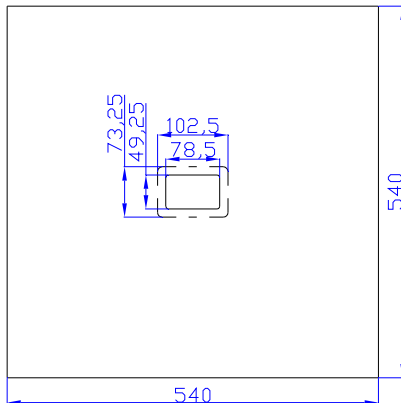
**Base**



**Lateral**



**Rear**



### 18P1000Nd

#### KEY FEATURES

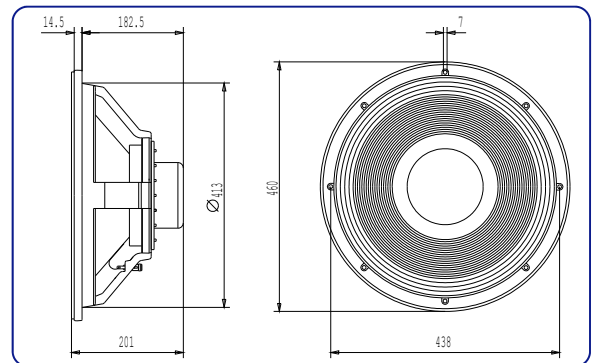
- Real 1000 W AES power handling
- Sensitivity: 98 dB @ 2.83V
- 4" Duo Technology voice coil
- Forced air convection circuit for low power compression
- Extended controlled displacement:  $X_{max} \pm 8$  mm.
- Massive mechanical displacement capability: 52 mm p-p



#### TECHNICAL SPECIFICATIONS

- |                            |                       |
|----------------------------|-----------------------|
| • Nominal diameter         | 460 mm. 18 in.        |
| • Rated impedance          | 8 ohms                |
| • Minimum impedance        | 6.2 ohms              |
| • Power capacity*          | 1000 w AES            |
| • Program power            | 2000 w                |
| • Sensitivity              | 98 dB 2.83v @ 1m @ 2π |
| • Frequency range          | 25 - 2000 Hz          |
| • Voice coil diameter      | 100 mm. 4 in.         |
| • Magnetic assembly weight | 4.62 kg. 10.16 lb.    |
| • BL factor                | 24.3 N / A            |
| • Voice coil length        | 21 mm                 |
| • Air gap height           | 12 mm                 |
| • X damage (peak to peak)  | 52 mm                 |

#### DIMENSION DRAWINGS



**Notes:**

\*The power capacity is determined according to AES2-1984 (r2003) standard.  
Program power is defined as the transducer's ability to handle normal music program material.

## SB18/2 Presets

