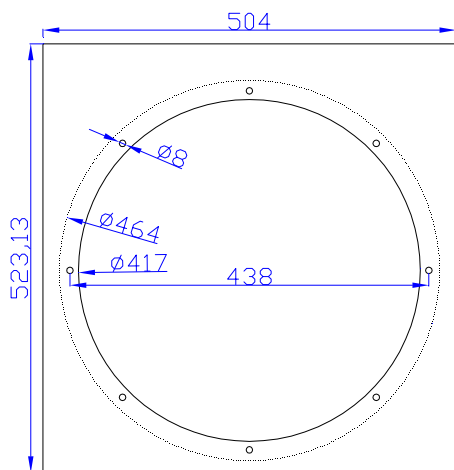
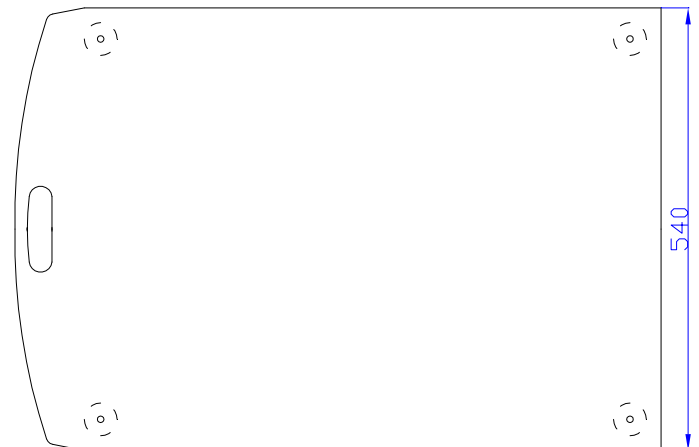


Technical Specifications

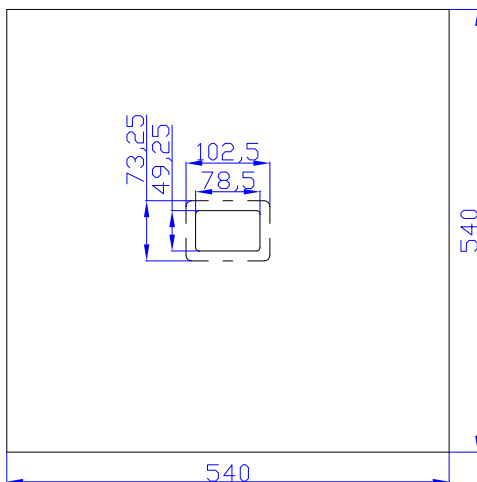
Acoustic cabinet:	SB18
Description:	Bass reinforcement. 18" subwoofer.
Power AES:	800 W.
Power Program:	1.600 W.
Sensitivity 2,83v @ 1m:	102 dB.
Max. SPL continuous:	131 dB.
Max. SPL peak:	137 dB.
Frequency response:	37 - 200 Hz.
Bass Loudspeakers:	18P80ND



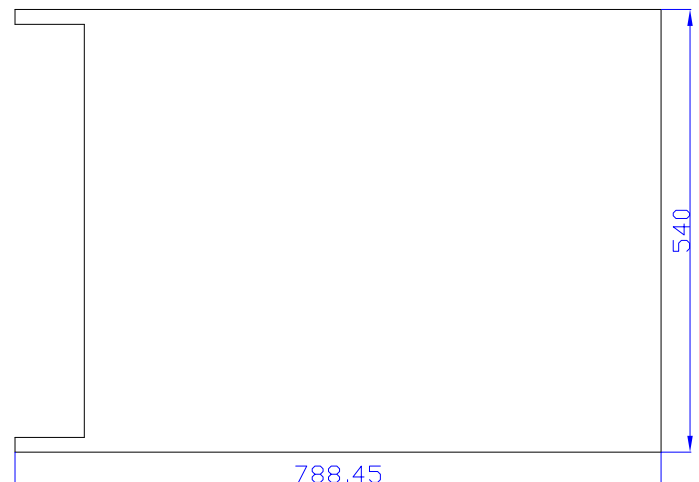
Base



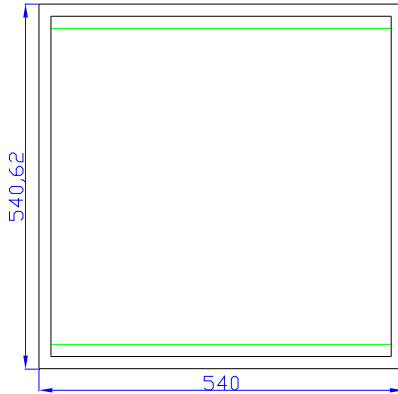
Rear



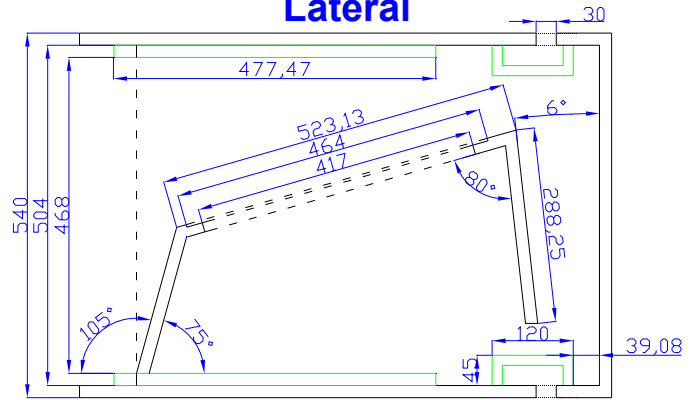
Lateral



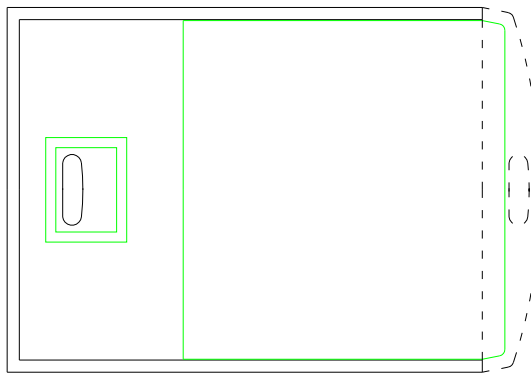
Front



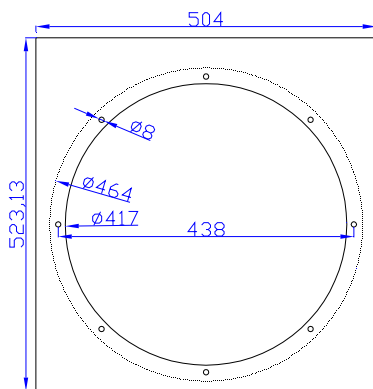
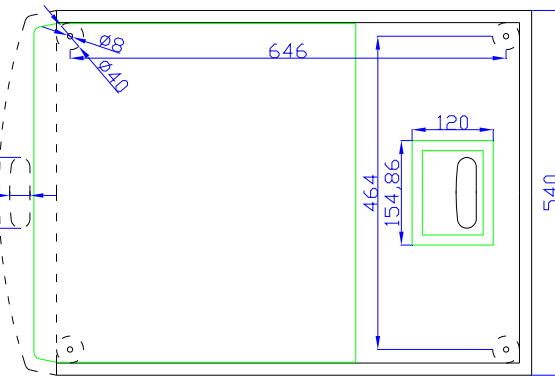
Lateral



Central



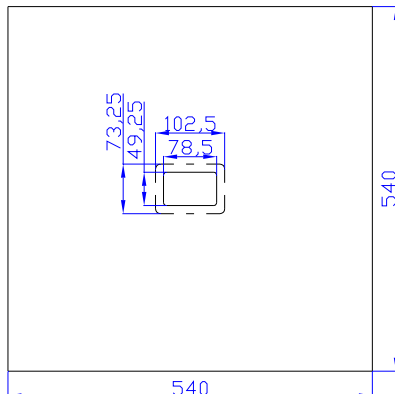
Base



Base



Rear



Lateral



18P80Nd

KEY FEATURES

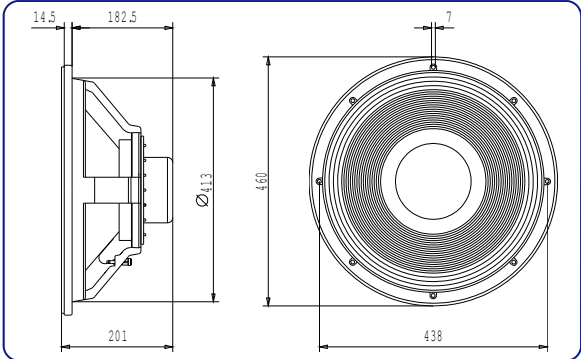
- Real 800 W AES power handling
- Sensitivity: 100 dB @ 2.83V
- 4" Duo Technology voice coil
- Carbon fiber reinforced paper cone
- Forced air convection circuit for low power compression
- Extended controlled displacement: Xmax ± 7.5 mm.
- Massive mechanical displacement capability: 52 mm p-p



TECHNICAL SPECIFICATIONS

- | | |
|----------------------------|------------------------|
| • Nominal diameter | 460 mm. 18 in. |
| • Rated impedance | 8 ohms |
| • Minimum impedance | 5.8 ohms |
| • Power capacity* | 800 w AES |
| • Program power | 1600 w |
| • Sensitivity | 100 dB 2.83v @ 1m @ 2π |
| • Frequency range | 25 - 4000 Hz |
| • Voice coil diameter | 100 mm. 4 in. |
| • Magnetic assembly weight | 4.62 kg. 10.16 lb. |
| • BL factor | 21.9 N / A |
| • Voice coil length | 20 mm |
| • Air gap height | 12 mm |
| • X damage (peak to peak) | 52 mm |

DIMENSION DRAWINGS



Notes:
 *The power capacity is determined according to AES2-1984 (r2003) standard.
 Program power is defined as the transducer's ability to handle normal music program material.

SB18/3 Presets

EQ Interface Screenshot:

- Graph 1: Shows a flat frequency response from 20 Hz to 20 kHz.
- Graph 2: Shows a frequency response curve with a red peak between 40 Hz and 100 Hz.
- Control Panel:
 - PEQ On:
 - Type: Bell High Shelf Low Shelf Low/High Shelf
 - Band 1 Fc: 62.5 Hz, Q: 2.996, Level: 3.0 dB
 - Band 2 Fc: 324 Hz, Q: 0.939, Level: 0.0 dB
 - Band 3 Fc: 1.19 kHz, Q: 0.939, Level: 0.0 dB
 - Band 4 Fc: 5.04 kHz, Q: 0.939, Level: 0.0 dB

