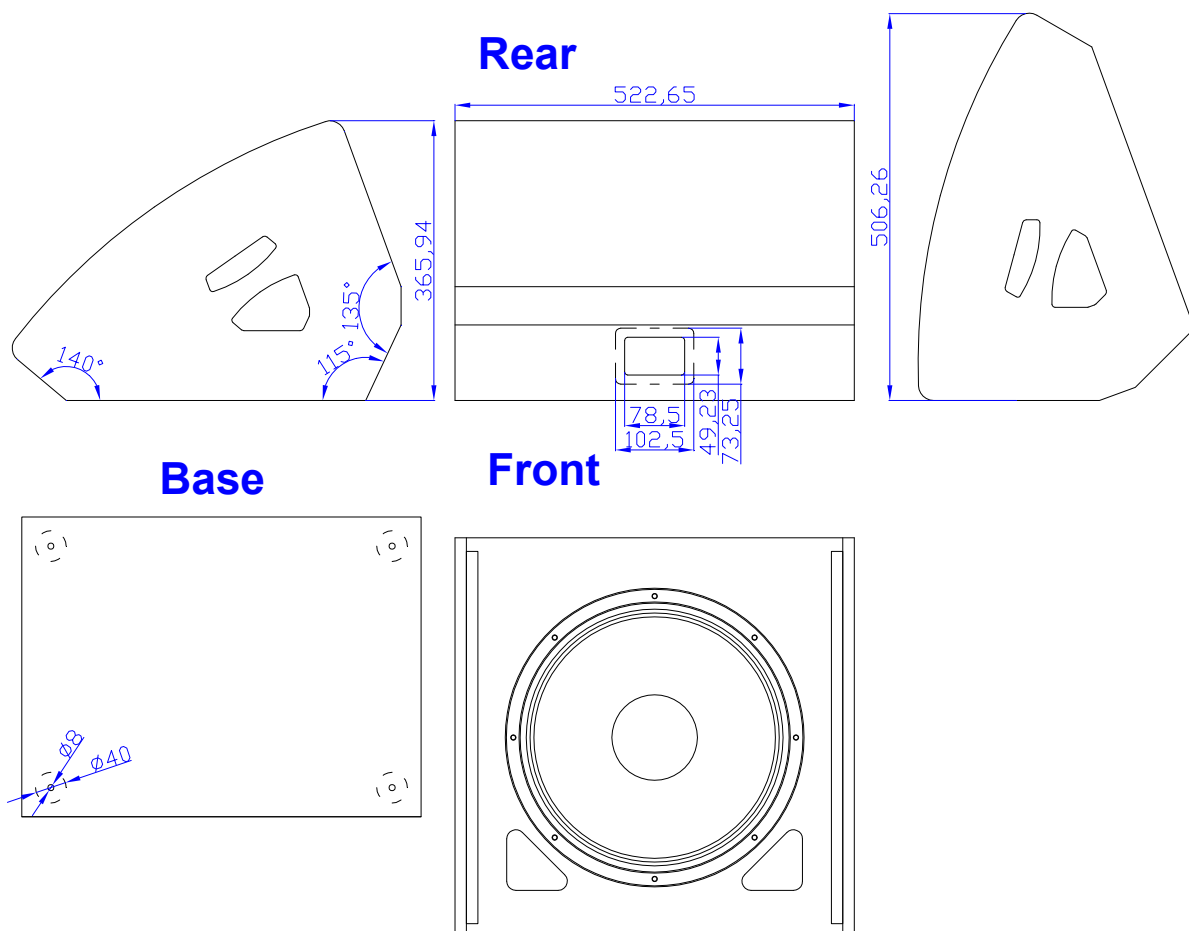
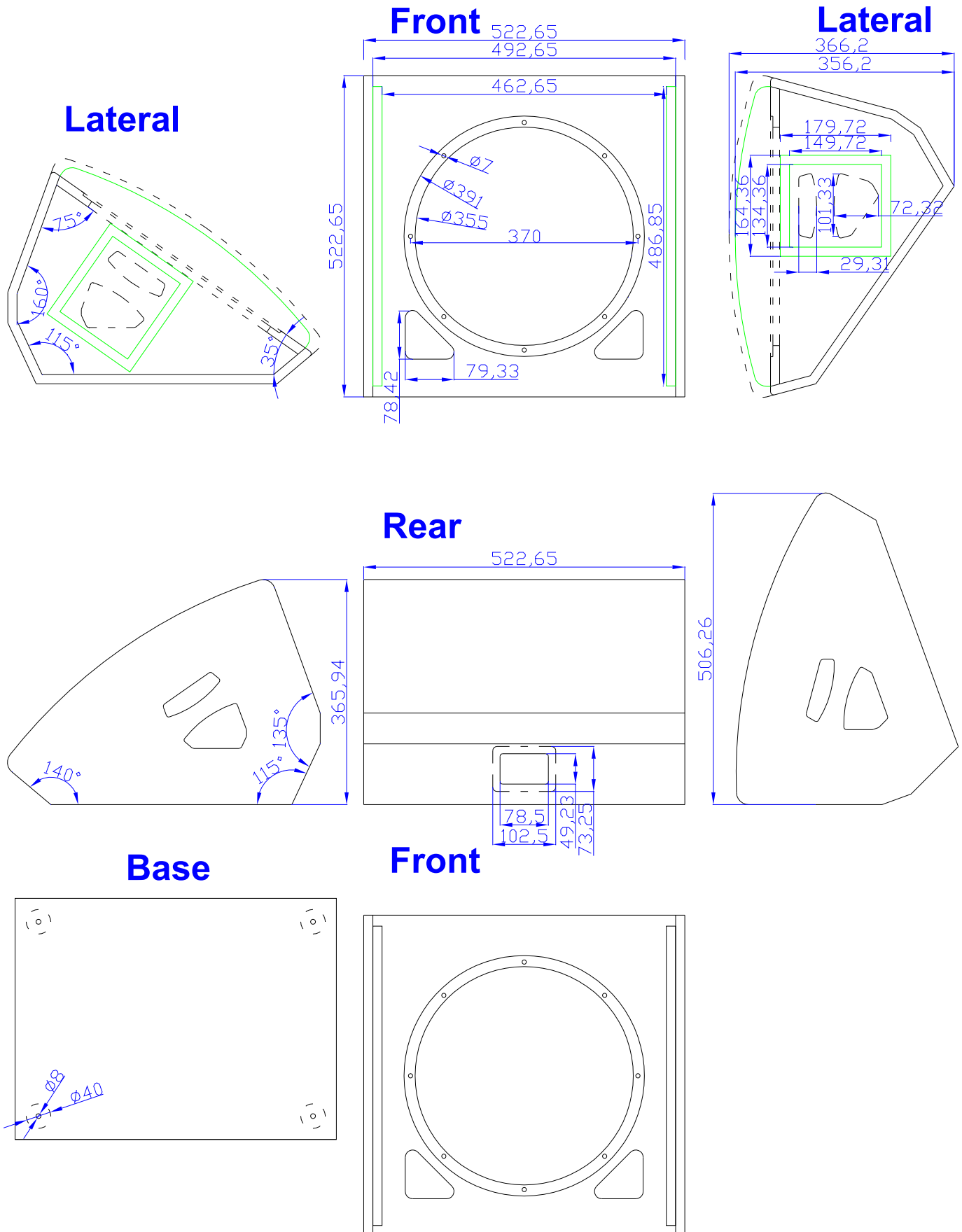


**Technical Specifications**

Acoustic cabinet:	SM15
Description:	Stage monitor. 15" coaxial.
Power AES:	300 W.
Power Program:	600 W.
Sensitivity 2,83v @ 1m:	99 dB.
Max. SPL continuous:	124 dB.
Max. SPL peak:	130 dB.
Frequency response:	43 - 17.000Hz.
Coverage (H x V):	90° conical
Loudspeaker:	15KX
Crossover:	FC-15/2





# 15KX

## KEY FEATURES

- 15" bass loudspeaker and 2" exit compression driver combination
- Excellent power handling: 300 W AES (LF unit) - 100 W AES (HF unit)
- Titanium diaphragm compression driver
- Low weight thanks to the common magnet system for both units
- Coherent response
- Bass loudspeaker designed for compact bass reflex cabinets



## TECHNICAL SPECIFICATIONS

### LF Unit

- Nominal diameter 380 mm. 15 in.
- Rated impedance 8 ohms
- Minimum impedance 7.3 ohms
- Power capacity\* 300 w AES
- Program power 600 w
- Sensitivity 99 dB 2.83v @ 1m @ 2π
- Frequency range 25 - 3000 Hz
- Voice coil diameter 77 mm. 3 in.
- Magnetic assembly weight 6.4 kg. 14.11 lb.
- BL factor 14.5 N / A
- Voice coil length 13 mm
- Air gap height 8 mm
- X damage (peak to peak) 28 mm

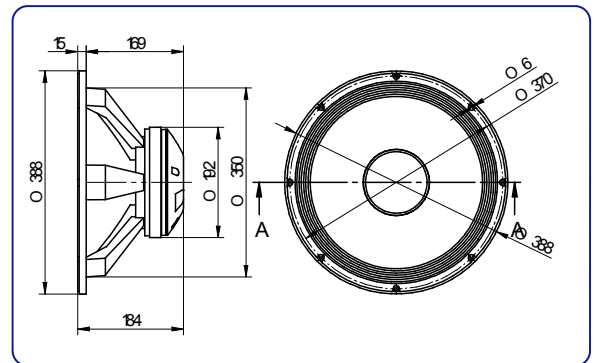
### HF Unit

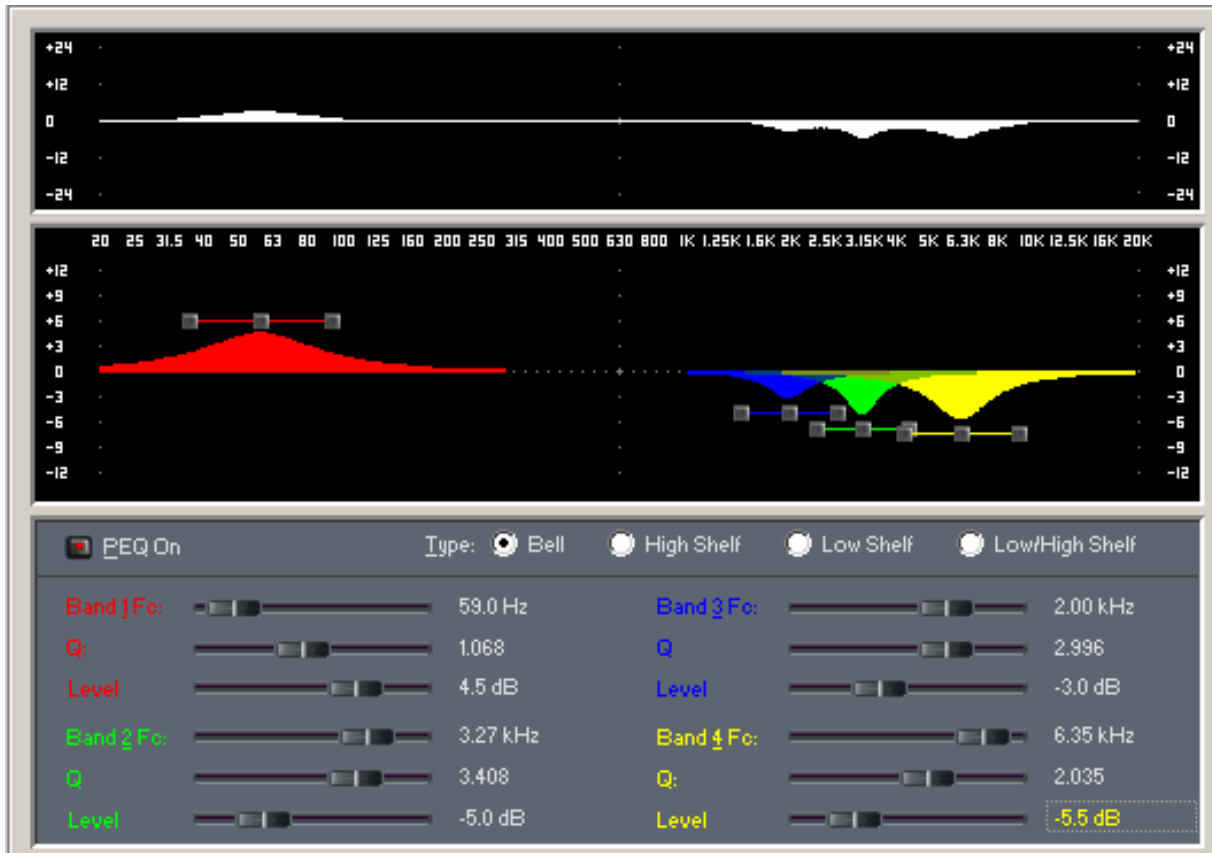
- Throat diameter 50.8 mm. 2 in
- Rated impedance 8 ohms
- Power capacity\* 100 w AES
- Program power 200 w above 1 kHz
- Sensitivity\*\* 105 dB 1w @ 1m
- Frequency range 800- 17000 Hz
- Voice coil diameter 72.2 mm. 2.87 in.
- Dispersion 90° conical

**Notes:**

\*The power capacity is determined according to AES2-1984 (r2003) standard.  
 Program power is defined as the transducer's ability to handle normal music program material.

## DIMENSION DRAWINGS





**SM15/2 Crossover**

